

D4 and R9 are not assembled on the board.

Fix: C1b was added, because C1 is far away from VCC/GND pins in older through-hole models.

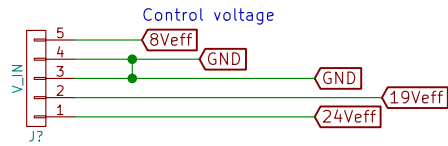
Reverse engineered  
**Michael Büsch** <m@bues.ch>

Sheet: /  
 File: lf1600.sch

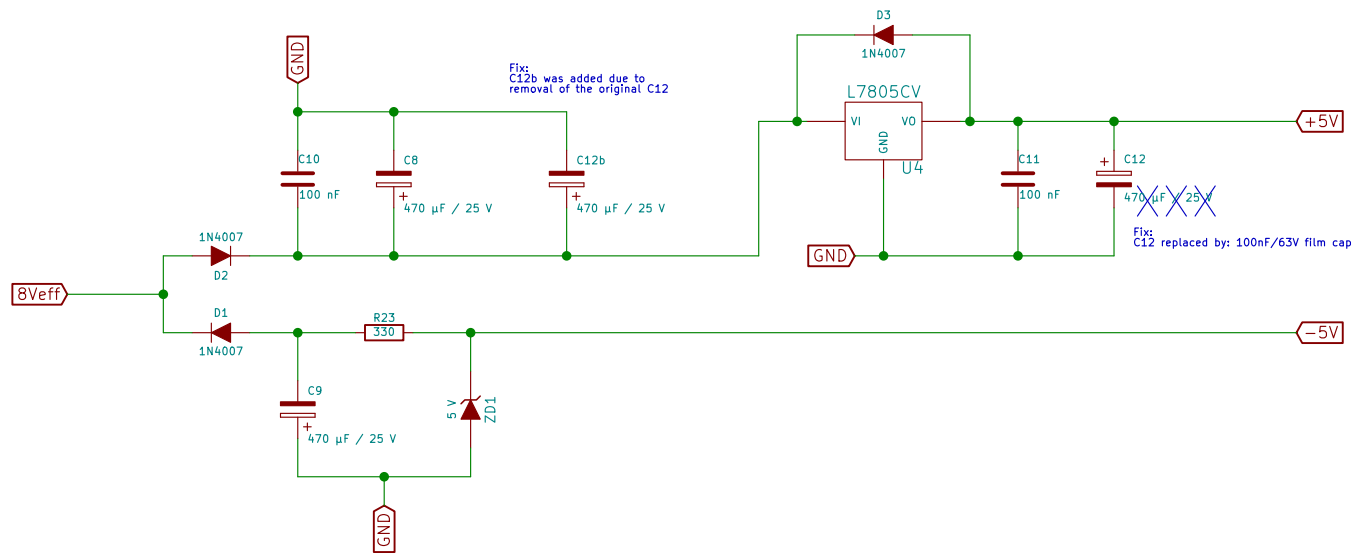
**Title: Xytronic LF-1600**

Size: A4      Date:  
 KiCad E.D.A.    kicad 4.0.2+dfsg1-stable

Rev: 1.1  
 Id: 1/5



Supply voltage  
 19Veff is not connected  
 24Veff is labeled as "24V", but actually is 31 V (eff)



Fix:  
 C12b was added due to  
 removal of the original C12

Fix:  
 C12 replaced by: 100nF/63V film cap

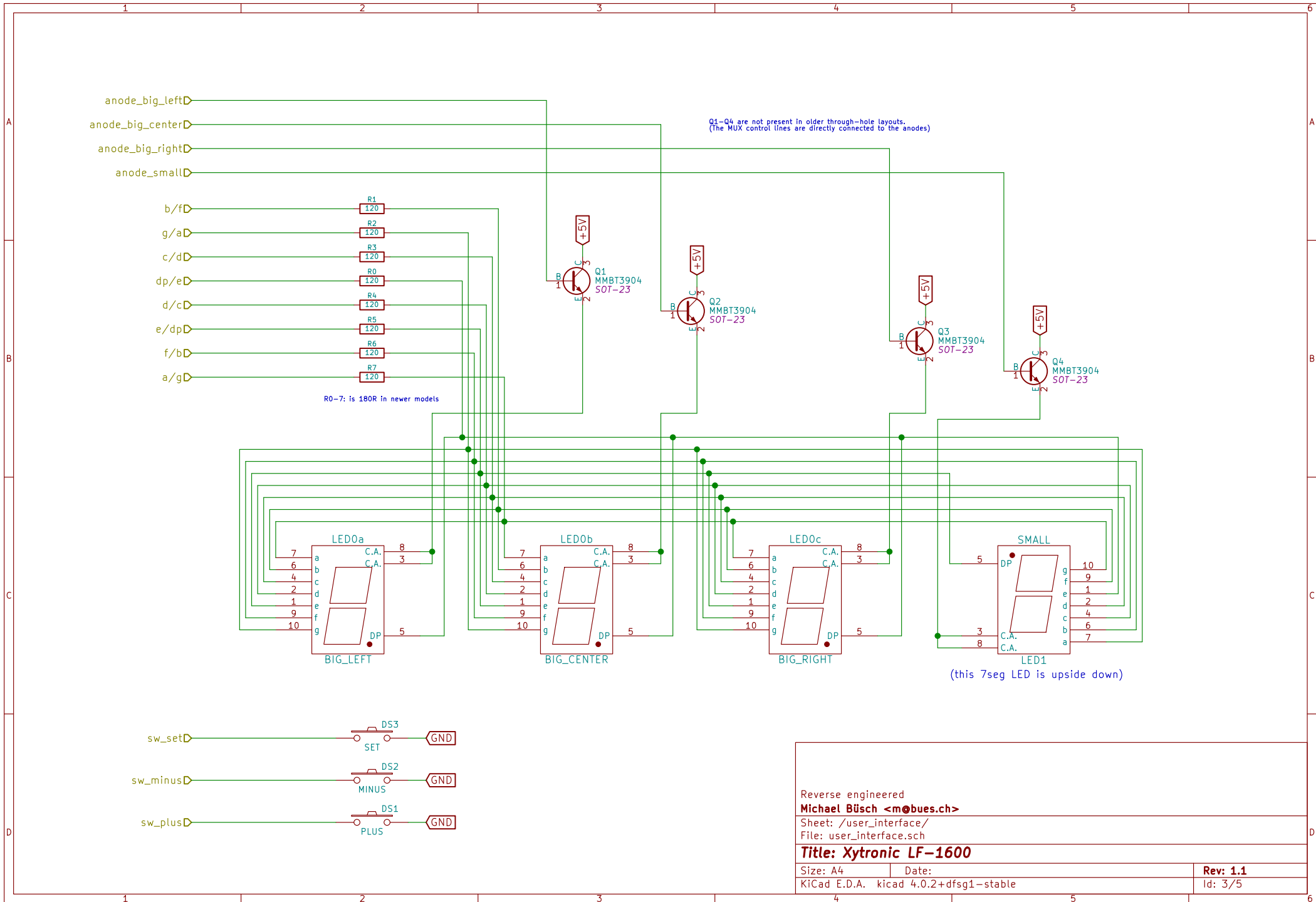
Reverse engineered  
**Michael Büsch** <m@bues.ch>

Sheet: /supply/  
 File: supply.sch

**Title: Xytronic LF-1600**

Size: A4 Date:  
 KiCad E.D.A. kicad 4.0.2+dfsg1-stable

Rev: 1.1  
 Id: 2/5



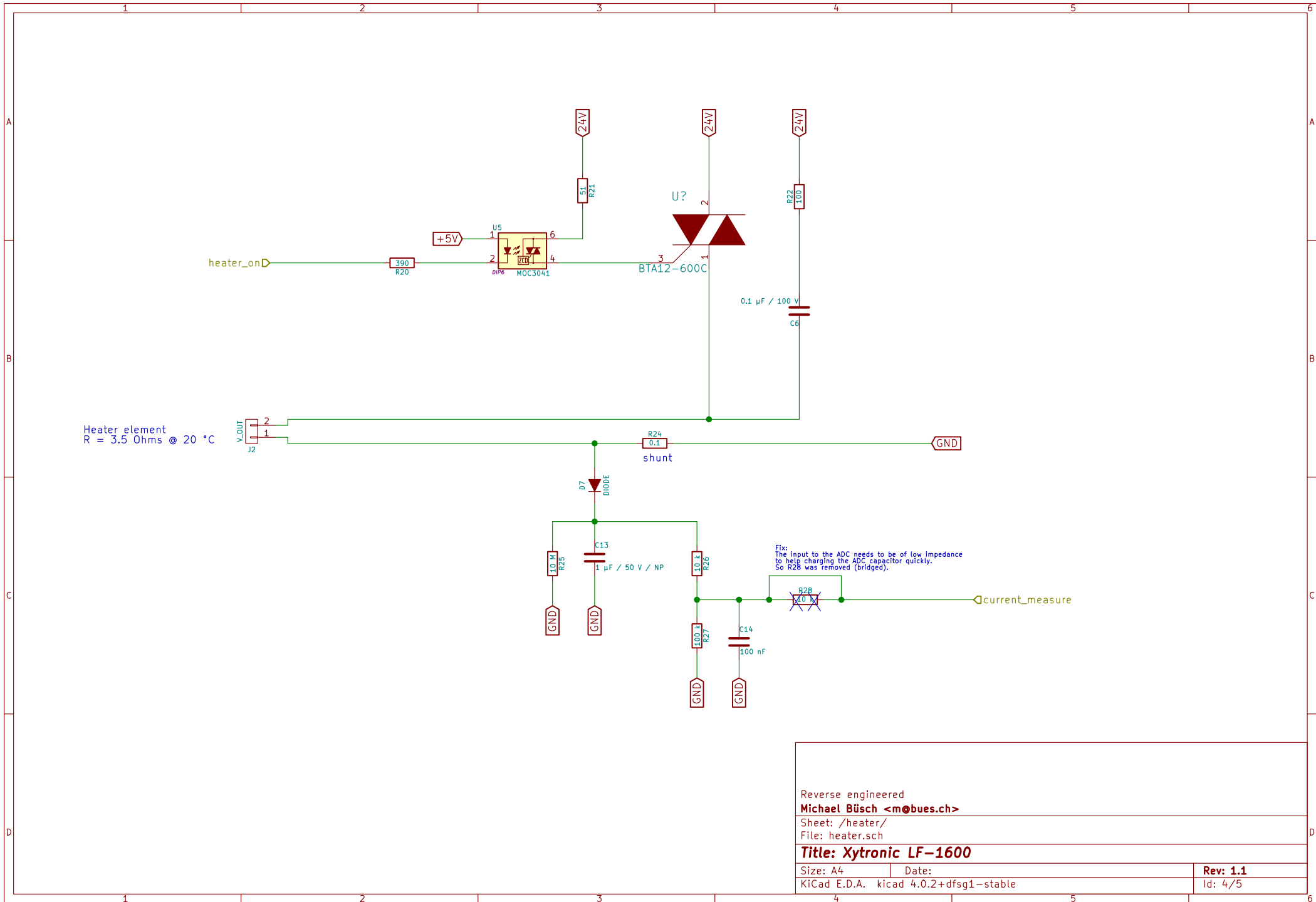
Reverse engineered  
**Michael Büsch** <m@bues.ch>

Sheet: /user\_interface/  
 File: user\_interface.sch

**Title: Xytronic LF-1600**

Size: A4 Date:  
 KiCad E.D.A. kicad 4.0.2+dfsg1-stable

**Rev: 1.1**  
 Id: 3/5



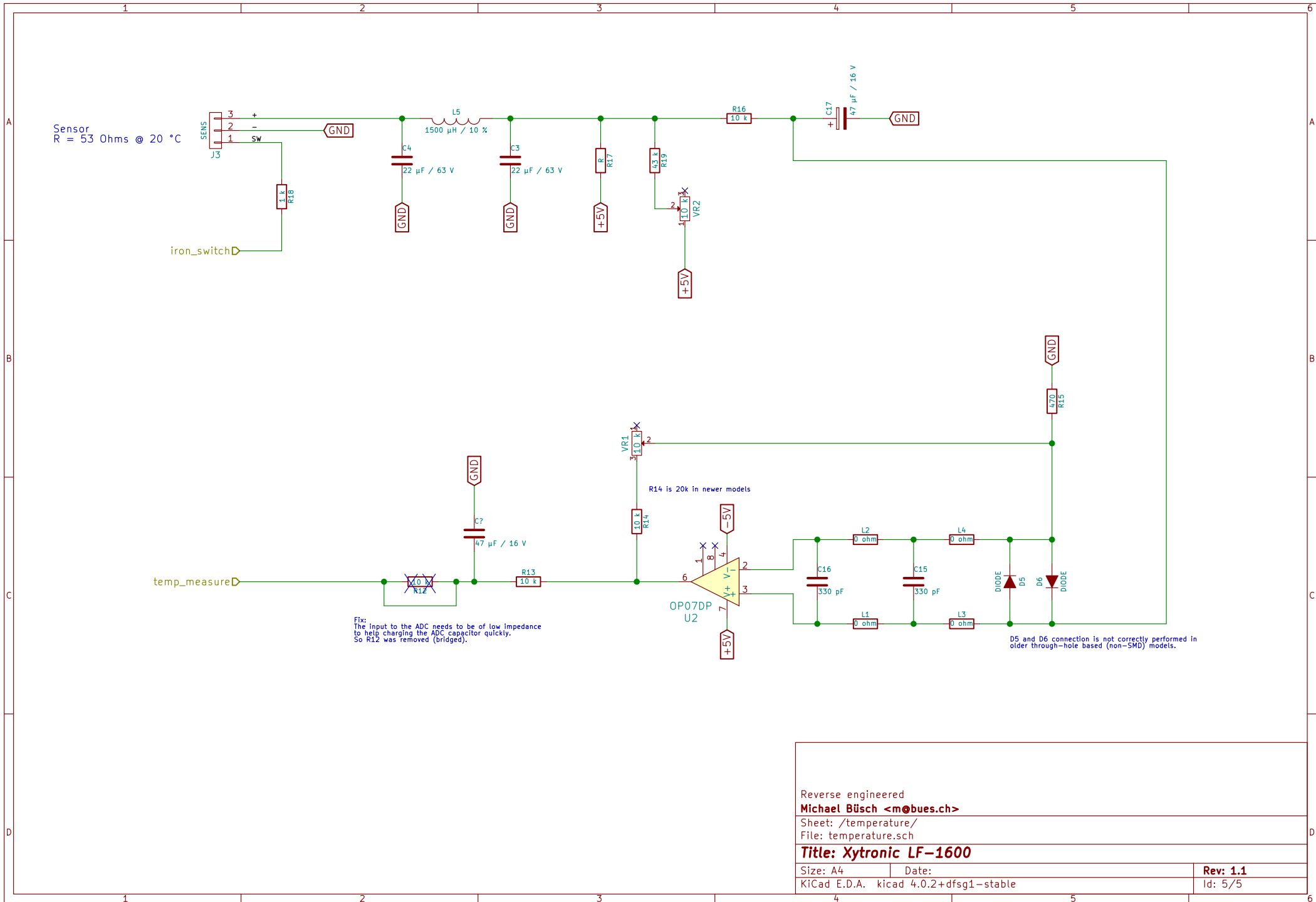
Reverse engineered  
**Michael Büsch** <m@bues.ch>

Sheet: /heater/  
 File: heater.sch

**Title: Xytronic LF-1600**

Size: A4      Date:  
 KiCad E.D.A.    kicad 4.0.2+dfsg1-stable

**Rev: 1.1**  
 Id: 4/5



Sensor  
R = 53 Ohms @ 20 °C

Fix:  
The input to the ADC needs to be of low impedance  
to help charging the ADC capacitor quickly.  
So R12 was removed (bridged).

R14 is 20k in newer models

D5 and D6 connection is not correctly performed in  
older through-hole based (non-SMD) models.

Reverse engineered  
**Michael Büsch** <m@bues.ch>

Sheet: /temperature/  
File: temperature.sch

**Title: Xytronic LF-1600**

Size: A4      Date:  
KiCad E.D.A.    kicad 4.0.2+dfsg1-stable

**Rev: 1.1**  
Id: 5/5